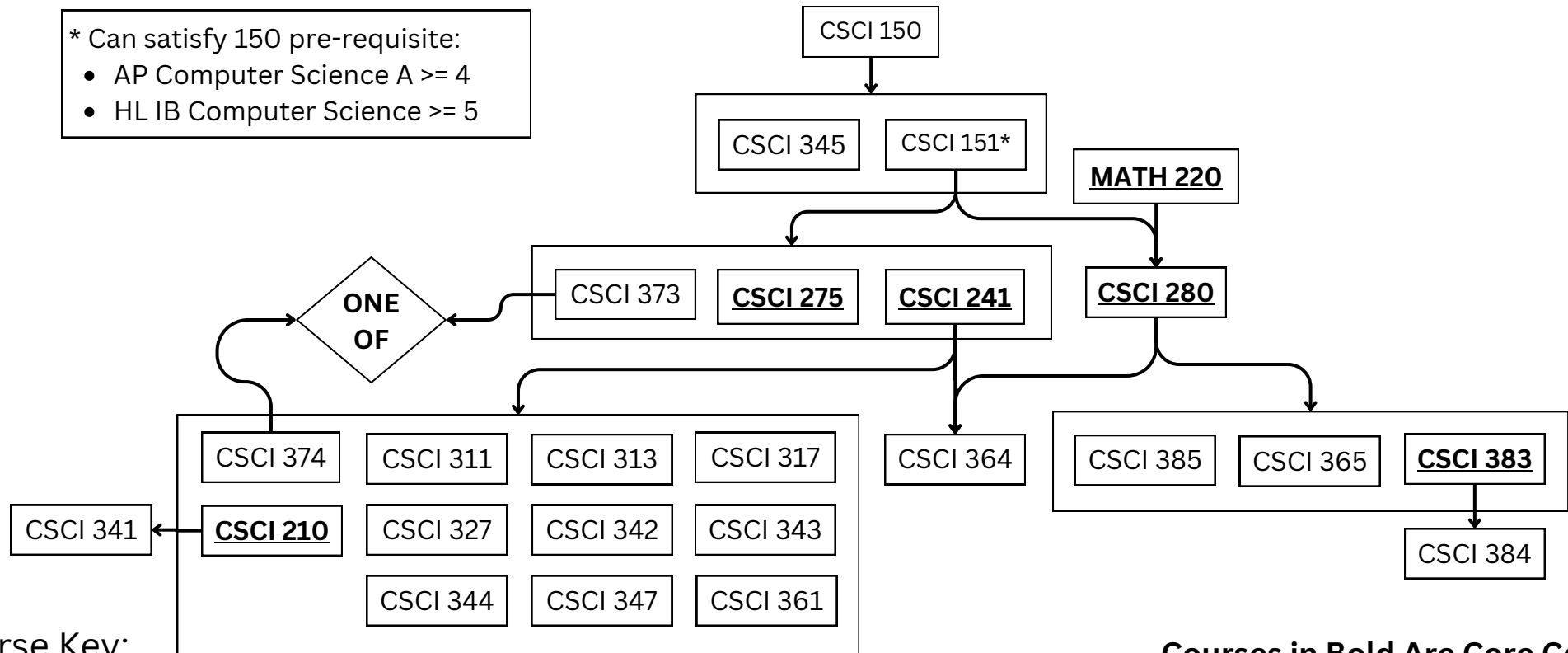


Computer Science Major Prerequisites

* Can satisfy 150 pre-requisite:

- AP Computer Science A ≥ 4
- HL IB Computer Science ≥ 5



Course Key:

Courses in Bold Are Core Courses

150: Intro to Computer Science

151: Data Structures

210: Intro to Computer Architecture

241: Systems Programming

275: Programming Abstractions

280: Algorithms

311: Database Systems

313: Human Computer Interaction

317: People Powered Procedures

327: Inclusive Technology Design

341: Operating Systems

342: Computer Networks

343: Computer and Information Security

344: Privacy, Anonymity
& Social Networks

345: Computers and the Physical World

347: Software Engineering

361: Game Design

364: AI

365: Advanced Algorithms

373: Applied Machine Learning

374: Machine Learning and Data Mining

383: Theory of Computation

384: Complexity Theory

385: Economics & Computation